



# The Hummer

The Newsletter of the Hummingbird Stickers Quilt Guild

www.hummingbirdquiltguild.com

P.O. Box 1326, Sierra Vista, AZ 85636-1326

February 2010

*Guild meetings are held at the Sierra Vista Community United Church of Christ unless otherwise noted.*

## A Message From Our President

This is the big month. Our quilt show is the end of this month, Saturday, February 27 and Sunday, February 28. The entry form for quilts is due to Wendy Seals by Wednesday, February 3rd!!! The quilt does not have to be finished at that time - only the paperwork. I really encourage everyone to enter at least one quilt to be judged and see what the judges look for. They really do NOT use a magnifying glass and a ruler to see if the binding is a quarter inch wide or every stitch is the same size.



They do look for a uniform stitching and the appearance of the quilt. Give it a try. I know Wendy has been saying she would like everyone to turn in at least one quilt for the show - that would give us 152 quilts YIPEE! (You are allowed to

enter more than one.)

There are several areas that still need volunteers. Please see the list on page 2 and sign up at any of the meetings in February or call the chairperson. I will collect the forms on February 17 to make sure you didn't sign up to work two places at the same time (which I did last year) and see if there are any open times. I'm sure there won't be any.

I'm looking forward to another wonderful show.

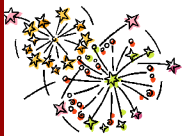
Trying to sew faster, but still  
Happily sewing  
Penny

## February Calendar

2/1	6pm	Program Meeting - "The Cotton Method" by Ann Hanson
2/3	9:30am	Program Meeting—Lizzie B Trunk Show (see below)
2/3	<b><u>DEADLINE FOR QUILT ENTRY FORMS</u></b>	
2/10	9:30am	BOM
2/17	8:30am	Community Sew
2/24	9:30am	Quilting Bee/
	9:30-11am	Quilts to be Judged brought to Fellowship Hall
2/26	3-9pm	Volunteers Set Up for Quilt Show, Buena High
2/26	4-5pm	Quilts NOT to be judged Brought to Buena High
2/27	9am-5pm	<b><u>CELEBRATING QUILTS</u></b>
2/28	10am-3pm	<b><u>CELEBRATING QUILTS</u></b>
2/28	3:30-4:15pm	All quilts picked up from Buena High
2/28		Sign-up for the "Portrait of..." Guild Challenge Due

Program Meeting, Wednesday February 3rd - It's the Lizzie B trunk show! Get to know the Lizzie B girls (Beth & Liz Hawkins) and their whimsical quilt designs...how they got started in quilting, their adventures at Quilt Market, and their forays into fabric design and authoring quilt books. They'll share their design inspiration secrets and inspire you to be more creative in your quilting too! They will have their newest book Whimsyland with them. You can learn more about them at: [www.LizzieBcre8ive.com](http://www.LizzieBcre8ive.com).

Lois Bloom



## “Celebrating Quilts” February 27-28, 2010



### Quilt Show Update

You only have a few more days to get your entry form turned in! Please let me know if you need help with the form. The show is going to be gorgeous and I can't wait to see all your quilts hung.

Wendy Seals

### We Need Volunteers!

- ▣ Volunteers are still needed to do demos during the show. You can discuss any aspect of quilting you like. Contact Wendy Seals for info.
- ▣ Mary Kay Holcomb will have a sign-up sheet at the February 1 and 3 meetings for volunteers to set up the show on Friday, February 26. Members and spouses are needed.
- ▣ Joyce Larson needs white gloves to assist with the appraisal process. Requires ability to stand and raise arms above your head while hanging quilts for photographs.
- ▣ Linda Erickson still needs volunteers for the admissions table (a sit-down job).
- ▣ Doreen Dolan needs volunteers for the raffle quilt table (another sit-down job).
- ▣ Penny Lupo needs additional white glove workers. You get to be up close and actually touch the quilts (with gloves on and yes gloves are provided).

### Vintage Quilts Needed

We still have room for three more vintage quilts, so, please call your mother, aunts, grandmothers for the one in the closet. Deadline for applications is February 3rd.

Joyce Larson

### Please Wear Your Nametag

Members can enter the quilt show free of charge, please remember to wear your name tag. If a spouse helped with any aspect of the show, they can also enter free.

### Foster Parents Needed

There is still time to become a foster parent to a worthy quilt item in need of your loving touch! Foster parents are needed to complete unfinished quilt items. By becoming a foster parent you can easily fulfill your member obligation to provide “one donated quilt item for the quilt show boutique.” With a little bit of loving care and time these lovely items can be ready for adoption at the 2010 quilt show.

Items are available at the day and night meetings. Potential foster parents can look over the items, pick an item, register, and then return the completed item before our 2010 quilt show. This will fulfill your obligation and help a poor defenseless quilt item become ready for adoption.

If you're unable to be a foster parent, be sure to use your own stash for inspiration and donate a small quilted item as your contribution to the 2010 Quilt Show Boutique.

Return completed items to Ginny Sciarrino.

### Raffle Tickets

As all of you know every member is expected to sell tickets for the quilt to be raffled at the quilt show. This participation, as of this date, is not as good as it was last year.

I have plenty of tickets and will be at the Wednesday meetings and at the February night meeting.

Please note: All ticket stubs, monies, and unsold tickets are to be returned to me by Wednesday, February 24, 2010. Do not wait until the show!!! Last year we ran out of tickets at the quilt show. We would have had sufficient tickets had all the unsold tickets been returned.

If you do not like the idea of selling the tickets just do as many of us have done, buy the tickets yourself! PLEASE DO YOUR PART.

Doreen Dolan

### Pillowcases for Soldiers

A big thank you to Mary Kay Holcomb for showing us how to make PILLOWCASES FOR SOLDIERS. And, thank you to everyone who participated.

We had a big turn out and made 57 pillowcases on the 13th. Shirley Auchincloss brought in 8 and made 10 at the sew-in for a total of 18. We have recently added another 34.

Mary Kay will collect the pillowcases on February 1 and February 3rd. Check out the HSQG website to see pictures of our productive day.

### A Message from the Challenge Committee

REMINDER: Please notify Jill Holsonback by the end of February if you want to sign up for the 2010 Guild Challenge. The rules are on the website and in the January newsletter.

#### February Birthdays

- 2/1 Sonja Matthews
- 2/5 Shirley Fogle
- 2/9 Janice Stewart
- 2/10 Starr Rose
- 2/15 Shirley Gray
- 2/16 Inge Scheumann
- 2/20 Virginia Fleming
- 2/25 Susan Ritter
- 2/26 Sally Calhoun
- 2/26 Mary Ann Dover

### January Raffle Winners

- Lois Bloom
- Sharon Clarke
- Millie Fehrenbach
- Judy Major



### RETREAT

- ★ Date: April 16-18
- ★ Place: Huachuca Oaks Baptist Camp
- ★ Cost: \$105 for HSQG members
- ★ \$125 for non-members

★ Irene Violette will be teaching the “Just Too Easy” quilt. Over 1/2 of the retreat spaces are already filled, so sign up with Shirley Auchincloss right away. Please remember that no wine or alcohol beverages are allowed.



### Welcome New Members

- Ann Hanson
- Maryann Lepic
- Bernice Muniz
- Jean Tucker

**Cowgirl-Up Quilts**



Laura Mucci, Owner  
520-586-1616  
370 E 4th ST  
Benson, AZ

FABRIC  
NOTIONS  
PATTERNS  
AND  
BOOKS

NOW OPEN — 9 to 5 — Monday thru Saturday

February 13: Sue Ann Vannoy will be presenting a trunk show from Quilt in a Day at 10am.

February 15: A class on the Tennessee Waltz will be taught by Sue Ann Vannoy. Space is limited to 6 people and the cost is \$25.

Call the shop for information.

T  
E  
N  
N  
E  
S  
S  
E  
E  
  
W  
A  
L  
T  
Z



**FOR SALE:**

Shar Jorgenson's Templates - - Pandora's Box Plus Add Ons. Original Price \$60. Make Offer. Contact Karen Horton.

**Speedy Recovery**

We wish Virginia Erickson well as she recovers from a fall and wish Kay Keene well as she recovers from eye surgery.



Photo by Jill Wallace

Jill Wallace and Roberta Watson recently taught a quilting class to Girl Scout Troop 662. Jill said the girls had a blast!



**March 13th Workshop  
Supply List**

I have the list of supplies that will be needed for the March workshop. I will bring them to both the 2/1 and 2/3 meetings. If you are not able to be at one of these meetings, please let me know and I will make sure you get the list.

Remember that there is a waiting list for this workshop. If you are unable to attend, please let me know in plenty of time so someone else can take the workshop. Contact me if you have any questions.

Check out Jill McCloy's website at:  
[www.jillmccloydesigns.com/Products.htm](http://www.jillmccloydesigns.com/Products.htm).

Lynne Bie

**Hummingbird Stitchers Quilt Guild****Financial Statement  
At December 31, 2009**Income

Interest	\$2.00
Donation	5.00
Membership 09	2,152.00
Nametag Fines	12.00
Newsletter Ads	187.00
Quilt Show 2010	0.00
Raffles	<u>471.00</u>
Total:	<u>\$2,829.00</u>

Expenses

Administrative	\$415.00
Advertising	0
Blotto/BOM	189.00
Challenge	81.00
Charity	520.00
Education	0
Historian	24.00
Insurance	755.00
Library	32.00
Meeting Room	460.00
Membership	213.00
Newsletter	590.00
Programs	482.00
Raffles	0
Storage	630.00
Tours (net)	0
Workshops (net)	851.00
Total	<u>\$5,242.00</u>

## Cash Balance at December 31, 2009

Checking	\$2,208.00
Savings	<u>9,102.00</u>
Total	<u>\$11,310.00</u>

**Minutes****Hummingbird Stitchers Quilt Guild  
January 4, 2010**

Penny Lupo, President, who welcomed guests and members, called the meeting to order at 6:07pm.

Minutes: It was moved by Dorthy Goulding and seconded by Lynne Bie to accept the Minutes of October 7, 2009 as published in the newsletter. The motion passed.

Treasurer's Report: Income was \$2829. Expenses were \$5242. The cash balance was \$11,310 to include a checking account balance of \$2208 and a savings account balance of \$9102.

Election of Officers: The following slate of individuals was approved by acclamation. President: Susan Ritter, 1st Vice President: Candy Jennings, 2nd Vice President Starr Rose, Secretary: Margaret Dalmer, and Treasurer: Wendy Seals.

With no further business, the meeting was adjourned at 6:13pm.

Respectfully submitted,  
Jill Holsonback, Secretary



Just one of the quilts made using Linda Erickson's "Easy Steps" December mini workshop pattern.



*Certified quilt appraisals will be available Saturday and Sunday during the show.*

*Hanging appraisal also available.*

*Appointment times are available for guild members. Please call Joyce 520-266-3617.*



## AQG Bus Trip

HSQG is again sponsoring a bus trip to the Arizona Quilters Guild annual quilt show in Mesa on **FRIDAY**, March 12th. Cost is \$25 for HSQG members, which includes the show ticket. If seats are still available on Monday, March 1st, non-members can sign up for the full fee of \$45. The bus will leave WalMart parking lot at 6:30am **SHARP** and return to Sierra Vista about 6:30pm. Sign up with Sue Lee starting Wednesday, February 3rd. Check or correct change please. Fees are non-refundable.

## HSQG CALENDAR

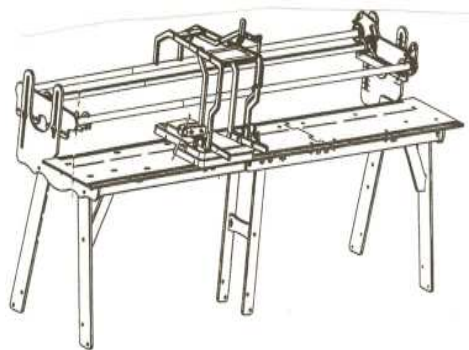
3/1	Program Meeting—"Machine Applique" By Betty Edwards
3/3	Program Meeting -Barbara Polston (President, Arizona Hall of Fame)
3/10	BOM
3/12	Bus Trip to Mesa—AQG Quilt Show
3/13	Workshop - - Jill McCloy
3/17	Community Quilt Sew
3/24	Quilting Bee
3/31	Quilting Bee
4/5	Program Meeting
4/7	Quarterly Bus Meeting/BLOTTO due
4/14	BOM
4/16-18	Retreat - Huachuca Oaks Baptist Camp
4/21	Community Quilt Sew
4/28	Quilting Bee
5/3	Program Meeting
5/5	Program Meeting
5/12	BOM
5/19	Community Quilt Sew
5/26	Quilting Bee
10/15	Quilt Challenge—Title of your quilt and a short write up due
10/22-24	Retreat - Huachuca Oaks Baptist Camp
11/1	Quilt Challenge
11/3	Quilt Challenge

## 2010 Block of the Month (BOM)

Change is in the air! A Big Thank You to Sharon Clarke for her many hours of designing our Block of the Month patterns and completed sample blocks. She is stepping down and Dorothy Goulding will be making the patterns and samples for February and March. Thanks, Dorothy, for the "A Woman's Home Is Her Castle" block.



**Please wear your nametag to  
HSQG meetings and to the  
Celebrating Quilts Quilt Show**



## FOR SALE:

The Grace Machine Quilter, \$400. Contact Candy Jennings.



## January BLOTTO Winners

Shirley Gleave  
Ruth Hoskins  
Candy Jennings  
Sue McKinney

## Dates for Your Information

- |           |   |
|-----------|---|
| 1/28-2/24 | Tombstone Quilt Show  |
| 2/20-21   | Quilts on the River IV<br>Bullhead, AZ  |
| 3/11-13   | Arizona Quilters Guild<br>Mesa, AZ ( <a href="http://www.azquiltersguild.org">www.azquiltersguild.org</a> ) |
| 3/24-27   | AQS Quilt Show, Lancaster, PA<br>( <a href="http://AmericanQuilter.com">AmericanQuilter.com</a> )           |
| 4/16-18   | International Quilt Festival<br>Chicago, IL ( <a href="http://www.quilts.com">www.quilts.com</a> )          |
| 7/23-25   | International Quilt Festival<br>Long Beach, CA ( <a href="http://www.quilts.com">www.quilts.com</a> )       |
| 11/4-7    | International Quilt Festival<br>Houston, TX ( <a href="http://www.quilts.com">www.quilts.com</a> )          |

## How Many Raffle Tickets Have You Sold?

Please feel free to submit articles, suggestions, patterns, or want ads to buy or sell anything quilt related. We do not promise publication of all submitted items. We will, however, endeavor to publish all items that are applicable to the Guild's charter within a reasonable time frame. All items must be written in an e-mail or on paper. The editor cannot take responsibility for verbal requests. Request deadline is the second Wednesday of the month. Please send all contributions to the Newsletter Editor.

We do publish phone numbers for our members in respect for their privacy. If you need to contact a member by phone, please refer to your current Guild roster.

Guild Webpage: [www.hummingbirdquiltguild.com](http://www.hummingbirdquiltguild.com)

## HSQG Contacts

<u>President</u>	Penny Lupo	<a href="mailto:pennylupo2468@cox.net">pennylupo2468@cox.net</a>
<u>1st Vice President</u>	Jan Bowie	<a href="mailto:boneyrd@q.com">boneyrd@q.com</a>
<u>2nd Vice President</u>	Marilyn Creathbaum	<a href="mailto:37mjc@cox.net">37mjc@cox.net</a>
<u>Secretary</u>	Jill Holsonback	<a href="mailto:holsonback@cox.net">holsonback@cox.net</a>
<u>Treasurer</u>	Wendy Seals	<a href="mailto:wendyseals@msn.com">wendyseals@msn.com</a>
<u>Membership</u>	Shirley Gray	<a href="mailto:sagray3@cox.net">sagray3@cox.net</a>
<u>Newsletter Editor/Webmaster</u>	Shirley Gray	<a href="mailto:sagray3@cox.net">sagray3@cox.net</a>

## **Hummingbird Stitchers Quilt Guild**

P.O. Box 1326

Sierra vista, AZ 85636-1326

### **Tip of the Month**

Cookie cutters, especially the animal kind, make great templates for quilting on a baby quilt.

### **Websites of the Month**

[www.ihqs.org](http://www.ihqs.org) (check out the 2009 quilt show winners)